

SKALS

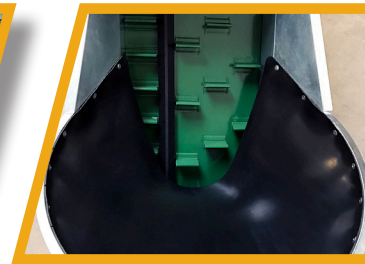
- we'll sort it out!

AMR weighing machine

Type: AMR 425 - AMR 450



Electronic and flexible weighing from 1,5 – 50 kg



Functions

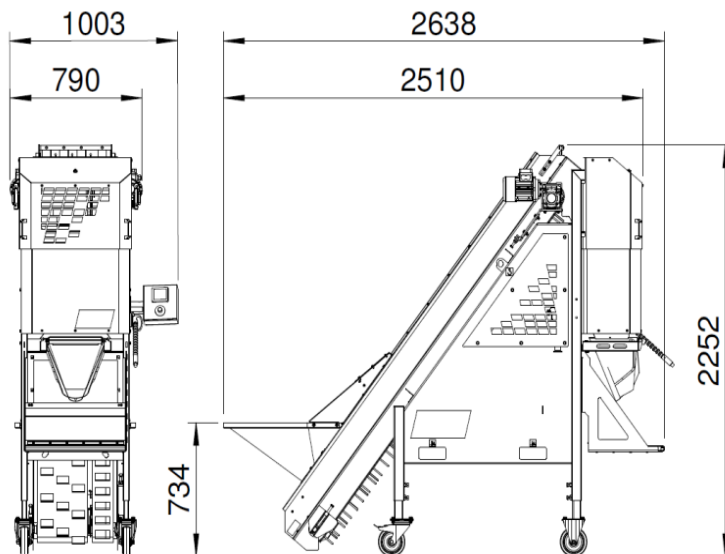
- New updated version of the bestseller weighing machine AM322-AM422
- Easy to operate with TOUCH panel
- Automatic cycle with multiple belt speeds
- Adjustable belt speeds, optimizing precision / efficiency
- Automatic weight optimizer according to last portion
- Automatic calibration – compensating for dirt etc.
- Rubber coatings to minimize damages
- Prepared for connection of sewing and packing units
- Accumulation function for filling of big bags / containers



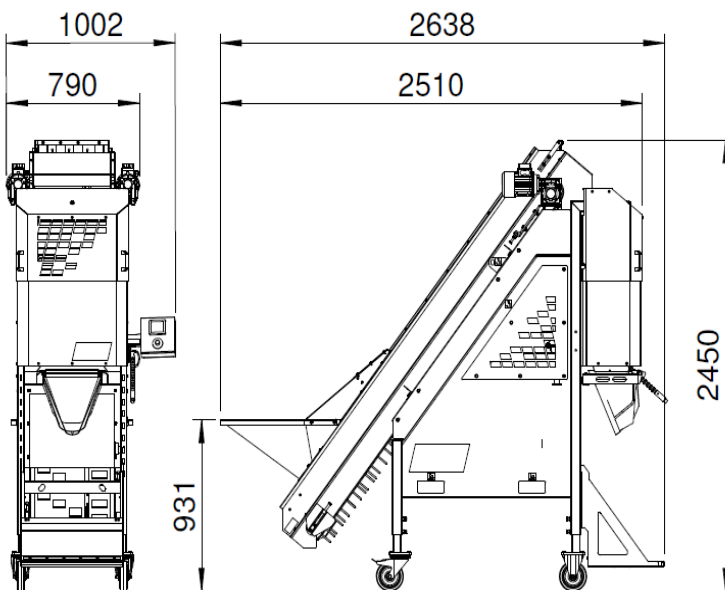
A/S Skals Maskinfabrik
Hovedgaden 56 • DK-8832 Skals
tlf. +45 87 25 62 00 • fax. +45 86 69 49 99
skals@skals.dk • www.skals.dk • CVR / VAT 17 21 80 18



AMR425-1 / 425-2



AMR450-1 / 450-2



Dansk – English – Deutsch	Type:	AMR425-1	AMR450-1	AMR425-2	AMR450-2
Kapacitet – Capacity – Stundenleistung		2 - 5,5 t/h.	2 - 7 t/h.	1 - 7 t/h.	1 - 8 t/h.
Afvejning – Weighing – Abwiegen		5 - 25 kg.	5 - 50 kg.	1,5 - 25 kg.	1,5 - 50 kg.
Bånd – Belts – Förderbänder		1x400mm	1x400mm	1x300 + 1x125	1x300 + 1x125
Motor Effekt – Motorpower - Motorleistung		0,46 kW	0,46 kW	0,80 kW	0,80 kW
Egenvægt - Natural Weight - Eigengewicht		310 kg.	315 kg.	370 kg.	375 kg.